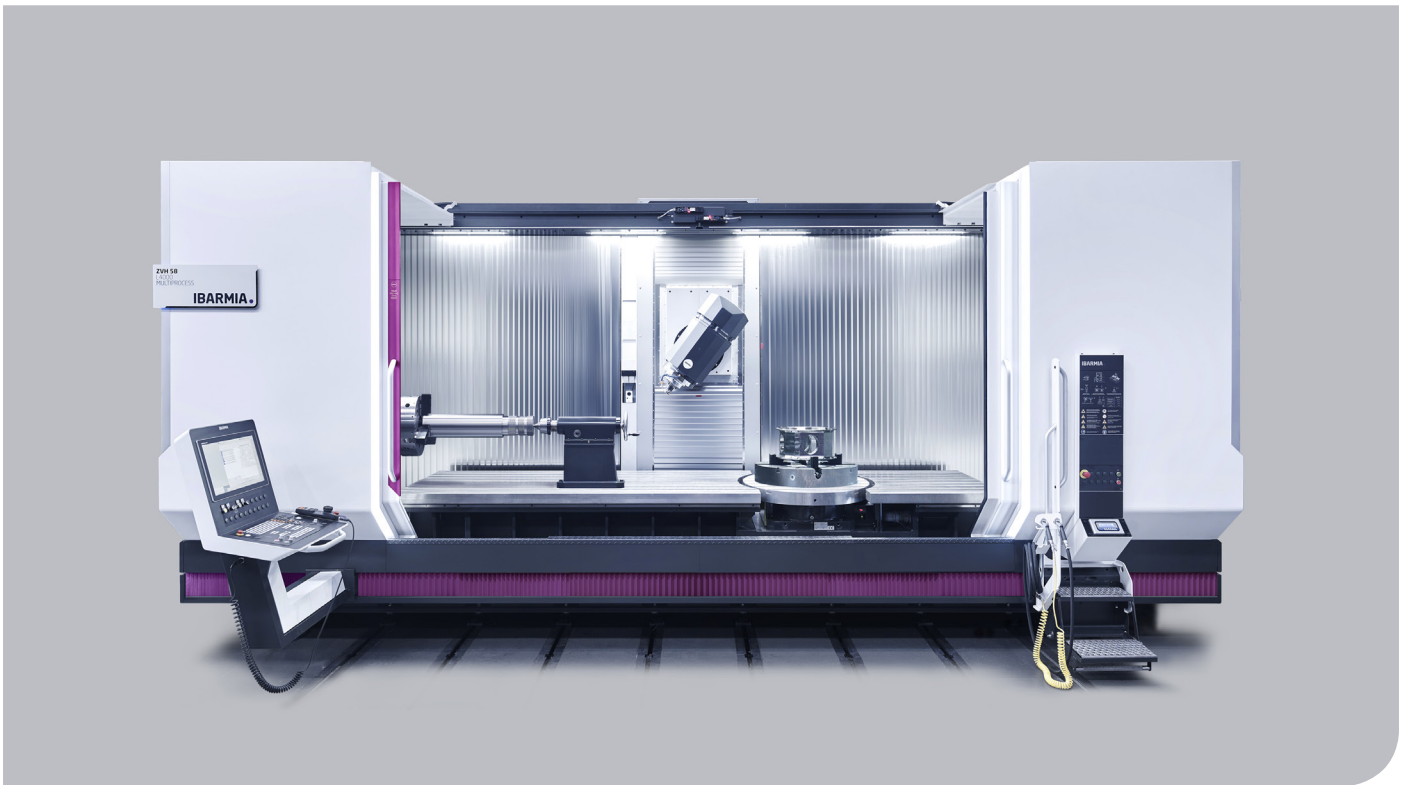


IBARMIA.

ZVH MULTIPROCESS

50 / 55 / 58

TECHNICAL SPECIFICATIONS



ZVH MULTIPROCESS

Combine 5 axis vertical and/or horizontal multitasking capacity with a fixed table so you can be ready for any job at the shortest notice.



Z SERIES

ZVH MULTIPROCESS**ZVH 50****ZVH 55****ZVH 58****STROKES**

-X axis travel (length)	mm	1600 - 12000		
-X axis travel working in 2 areas (vertical)	mm	2x 465 (L1600) - 2x 2665 (L6000)		
-Y axis travel (cross)	mm	600	800	1000
-Z axis travel (vertical)	mm	1100		
-B axis head range	°	+/-105		
-Maximum swing diameter (C axis integrated rotary table)	mm	1000	1200	1400

TABLE

-Fixed table dimensions	mm	L1600-2200: X+400 mm; <L3000: X+600 mm & Y +50 mm		
-Maximum table load capacity	Kg/m ²	2000		
-Number of "T" slots		5	7	
-"T" slots size	mm	18 H7		
-Distance between "T" slots	mm	125		
-Min. / Max. distance spindle nose / table	mm	V (0----1100) - H (375----11475)		
-Table height	mm	1075		

TILTINH HEAD

-Turning torque	Nm	800		
-Position clamping force	Nm	6000		

MAIN SPINDLE

-Spindle taper		Standard: HSK A 100 - Option: Capto C8		
-Maximum speed	rpm	Standard: 12.000 - Option: 7000		
-Maximum power	kW	Standard: 84 - Option: 75		
-Maximum torque	Nm	Standard: 452 - Option: 871		

CONTROLS

-Available digital controls		Fanuc / Heidenhain / Siemens		
-----------------------------	--	------------------------------	--	--

FEED

-Feed thrust X-Y-Z 100% (S3 40%)	N	X: 15.021 (22.971) / Y: 12.154 (17.255) / Z: 10.649 (15.529)		
-Rapid feed for positioning X-Y-Z	m/min	45		
-Maximum working feed X-Y-Z	m/min	30		
-Rapid feed for positioning in B axis	rpm	50		

ACCURACY VDI / DGQ3441

-Positioning accuracy Tp X-Y-Z (1000 mm)	µm	10		
-Repeatability	µm	5		
-Measuring system on B axis		Rotary scale		
-Positioning accuracy Tp B	s	8"		

ZVH MULTIPROCESS**ZVH 50****ZVH 55****ZVH 58****CAPACITIES**

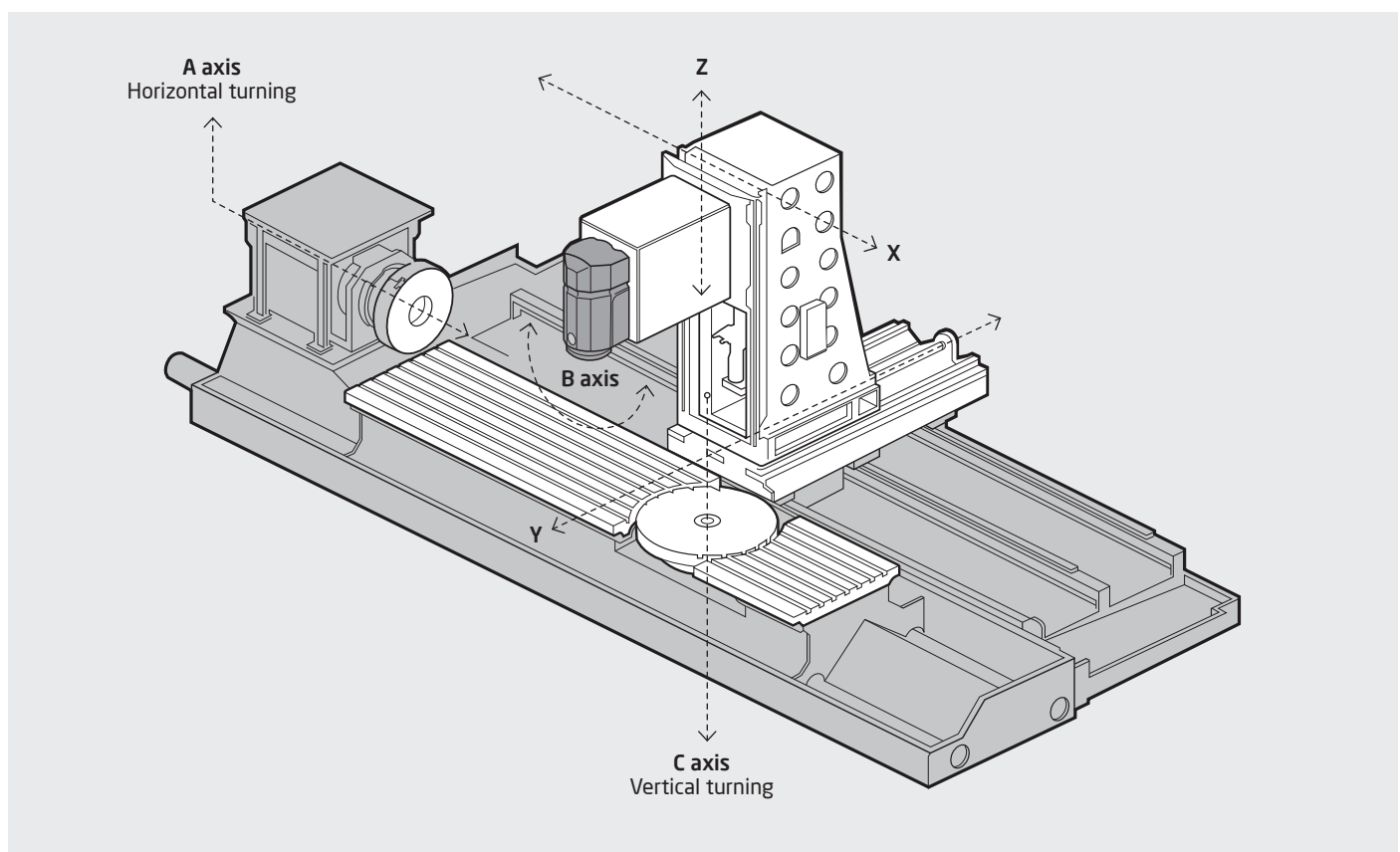
-Milling capacity in steel St 60	cm ³ /min	1100
-Drilling capacity in steel St 60	Ø mm	70
-Tapping de roscado en acero St 60	mm	M45

TOOL MAGAZINE

-Number of tools		30. Optional: 40, 60, 80 and more available on request.	
-Maximum tool length	mm	400	
-Maximum tool weight	Kg	20	
-Maximum tool Ø with full magazine	mm	125 (100 with 60-80 ATC)	
-Maximum tool Ø with free spaces	mm	200	
-Tool changing time	s	10"	
-Chip to chip time	s	12"	

GENERAL

-Machine painted in 3 colours	RAL	White 9010, Ligth Grey 9006, Dark Grey 7021		
-Total power installed	kW	60		
-Power connection voltage	V	400 V / 50 Hz		
-Required compressed air pressure	bar	6		
-Machine length (L1600 / L6000)	mm	5850 (L1600) - 11650 (L6000)		
-Aproximate net weight (L1600 / L6000)	kg	16.000 / 33.000	19.000 / 34.500	22.000 / 38.500



TURNING TABLES

-Vertical C axis ø525 mm • Maximum load 600 kg • +/-5"	700 rpm / 34,2 kW / 328 Nm
-Vertical C axis ø800 mm • Maximum load 3000 kg • +/-4"	500 rpm / 40kW / 1380 Nm
-Vertical C axis ø1000 mm • Maximum load 3500 kg • +/-4"	500 rpm / 40 kW / 1760 Nm
-Vertical C axis ø1200 mm • Maximum load 6000 kg • +/-4"	500 rpm / 83 kW / 4000 Nm
-Horizontal B axis ø180 mm • Maximum load 250 kg • +/-5"	3000 rpm / 24 kW / 100 Nm
-Horizontal B axis ø280 mm • Maximum load 700 kg • +/-5"	2000 rpm / 51,5 kW / 820 Nm
-Horizontal B axis ø380 mm • Maximum load 1500 kg • +/-5"	1800 rpm / 78 kW / 1400 Nm

INCLUDED ITEMS IN STANDARD CONFIGURATION

- 5 axis model: longitudinal X, transversal Y, vertical Z, tilting head B, combined with C and/or A axis MULTIPROCESS rotary table.
- Direct measuring on linear axes X / Y / Z.
- Measuring by rotary scale on rotary axes B / C / A.
- Travelling on lineal guides and ball screws.
- Servomotors with braking system for the axes.
- Rack and pinion system on machines from 6000 mm long.
- Hydraulic counter weight for the head.
- Electrospindle thermal compensation.
- 30 tool ATC magazine.
- Air blast for tool cleaning.
- Totally encapsulated working area.
- Vertical covers on X axis (steel bellows).
- Safety windows.
- Illumination of working area.
- Double auger system for chip evacuation.
- Removable lateral pannels.
- Moving and rotary control panel (360°) along machine bed (except L1600).
- Touch screen 19".
- Chip Conveyor with integrated coolant tank.
- External coolant system around the spindle.
- Programmable central lubrication system.
- Climatised electrical cabinet.
- Machine levelling elements.
- Informative cartel in black methacrylate.
- SMART POINT machine data monitoring system.

OPTIONAL ITEMS

- Coolant through spindle.
- NSM software and division wall of working areas.
- Transport cart for the division wall.
- ATC magazines up to 200 tools (fixed magazines, rack type...).
- Pick up stations integrated in the machine to hold special tools and angular heads.
- Special tool magazines up to 400 positions managed by arm robot.
- Tool measuring and touch systems.
- C axis integrated rotary tables up to $\varnothing 1200$ mm.
- Big diameter rotary tables up to $\varnothing 2000$ mm together with the fix table.
- Bolt on rotary tables to be used either in horizontal or vertical axis.
- Special working table configurations: moving tables, trunnion fixtures...
- Steam and mist aspiration system.
- Spray and air guns.
- "Comfort" pack: Sliding access stairway along the longitudinal travel with supports for air and water guns.
- "Illumination" pack: LED lights with acoustic signal indicating the state of the machine, integrated into the sides.
- 3 light tower with acoustic signal indicating the state of the machine.
- Camera settings and display mode.
- CNC control with touch screen up to 24".
- Advanced HMI.
- Portable electronic hand-wheel with support in the control pannel.